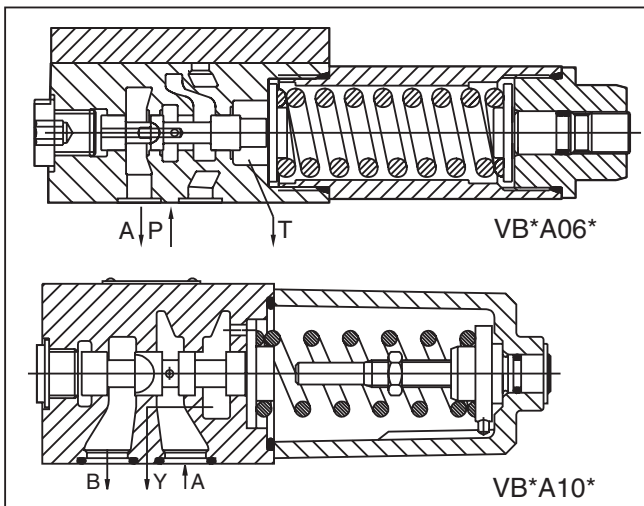
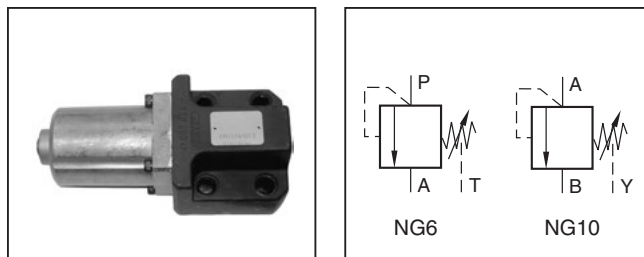


General Description

Series VB are direct operated pressure relief valves with manual adjustment. Series VB valves can also be used as pressure sequence valves because of the high pressure capability in the outlet port and the external drain port.

Specifications

Size	NG6, NG10
Interface	ISO 5791
Mounting Pos.	Unrestricted
Ambient Temp.	-20°C to +80°C (-4°F to +176°F)
Max. Operating Pressure	Size 6: Ports P and A 350 Bar (5075 PSI), Port T depressurized Size 10: Ports A and B 315 Bar (4568 PSI), Port Y depressurized
Pressure Range	Size 6: 25, 64, 160, 210, 350 Bar (363, 928, 2320, 3045, 5075 PSI) Size 10: 64, 125, 210 Bar (928, 1813, 3045 PSI)
Nominal Flow	Size 6: 25 LPM (6.6 GPM) Size 10: 60 LPM (15.9 GPM)
Pressure Fluid	Hydraulic oil according to DIN 51524 ... 525
Pressure Fluid Temperature	Recommended: +30C to +50°C (+86°F to +122°F) Permitted: -20°C to +70°C (-4°F to +158°F)
Viscosity	Recommended: 30 to 50 cSt (mm ² /s) Permitted: 20 to 380 cSt (mm ² /s)
Filtration	ISO 4406 (1999), 18/16/13



Features

- Spool valve
- Manifold mounting
- Five pressure ranges at NG6
- Three pressure ranges at NG10
- Two adjustment modes

Ordering Information

<div style="border: 1px solid black; padding: 2px; width: 30px; margin: 0 auto;">VB</div> <p>Sequence Valve</p>	<div style="border: 1px solid black; padding: 2px; width: 30px; margin: 0 auto;"></div> <p>Maximum Pressure Setting</p>	<div style="border: 1px solid black; padding: 2px; width: 30px; margin: 0 auto;">A</div> <p>Adjustment Screw with Hexagon Socket</p>	<div style="border: 1px solid black; padding: 2px; width: 30px; margin: 0 auto;"></div> <p>Size</p>	<div style="border: 1px solid black; padding: 2px; width: 30px; margin: 0 auto;">V</div> <p>Seal Fluorocarbon</p>	<div style="border: 1px solid black; padding: 2px; width: 30px; margin: 0 auto;"></div> <p>Gauge Port</p>	<div style="border: 1px solid black; padding: 2px; width: 30px; margin: 0 auto;"></div> <p>Lock</p>	<div style="border: 1px solid black; padding: 2px; width: 30px; margin: 0 auto;">[]</div> <p>Design Series</p> <p>NOTE: Not required when ordering.</p>
---	---	--	---	---	---	---	--

Code	Description	Code	Description	Code	Description
025 ¹⁾	25 Bar (363 PSI)	06	NG6	Omit	No Lock
064	64 Bar (938 PSI)	10	NG10	Z	Cylinder Lock
125 ²⁾	125 Bar (1813 PSI)				
160 ¹⁾	160 Bar (2320 PSI)				
210	210 Bar (3045 PSI)				
350 ¹⁾	350 Bar (5075 PSI)				

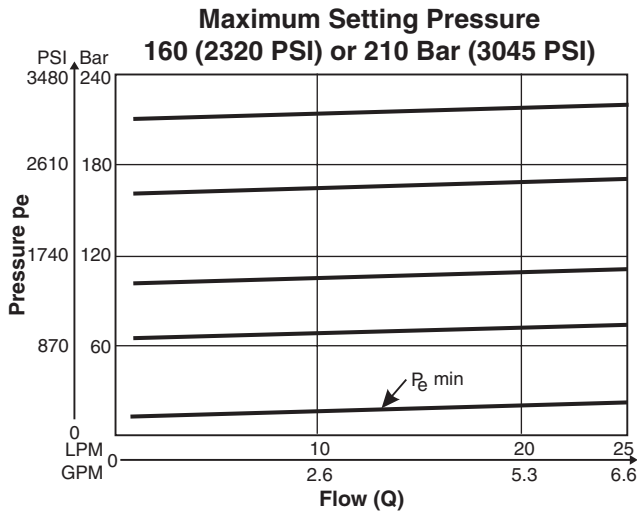
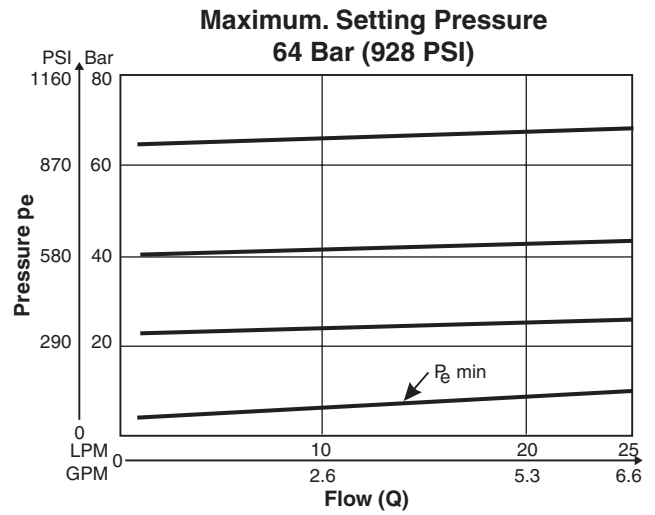
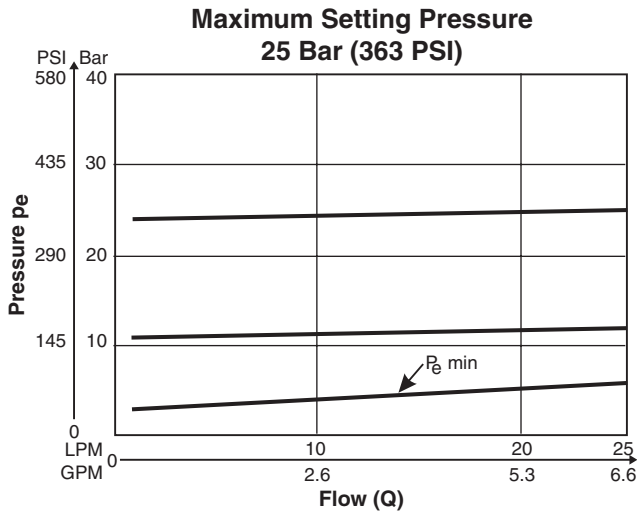
¹⁾ only NG6
²⁾ only NG10

Weight:
 VB*A06 1.3 kg (2.9 lbs.)
 VB*A10 3.7 kg (8.2 lbs.)

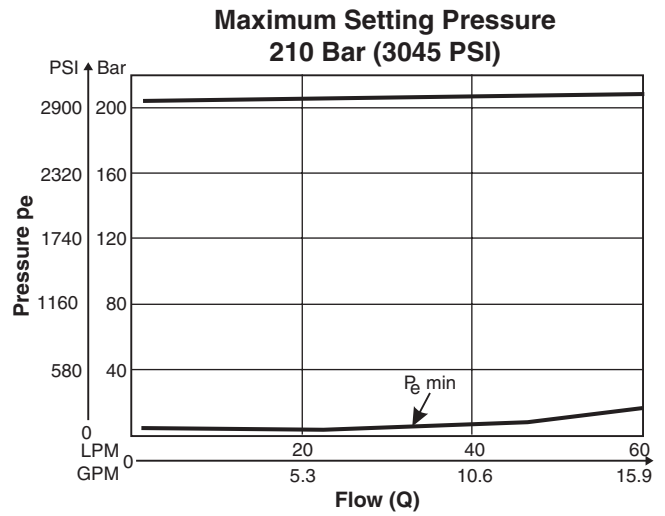
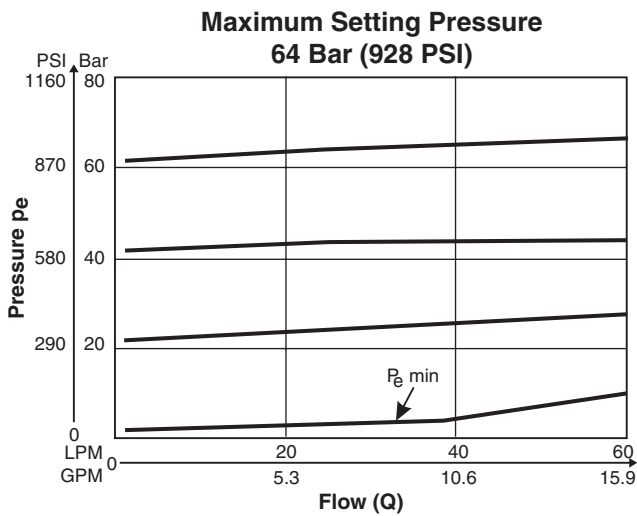
WARNING: This product can expose you to chemicals including Lead, Nickel (Metallic), or 1,3-Butadiene which are known to the State of California to cause cancer, and Lead or 1,3-Butadiene which is known to the State of California to cause birth defects and other reproductive harm. For more information go to www.P65Warnings.ca.gov.



VB*06



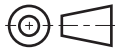
VB*10



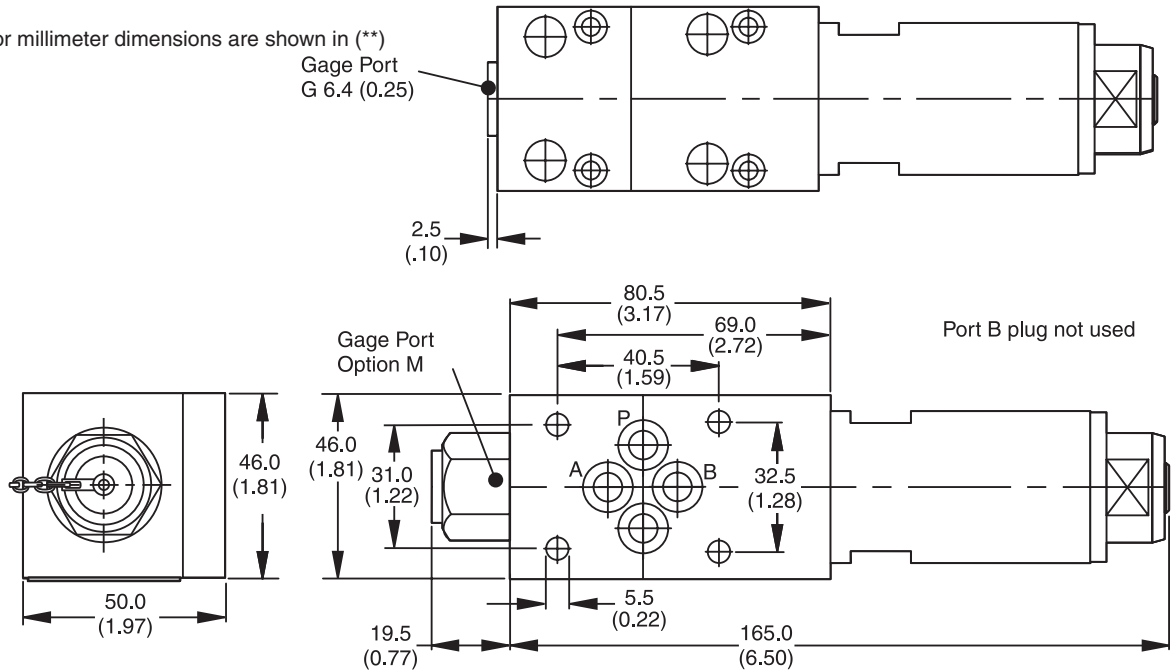
D

VB*06

Inch equivalents for millimeter dimensions are shown in (**)



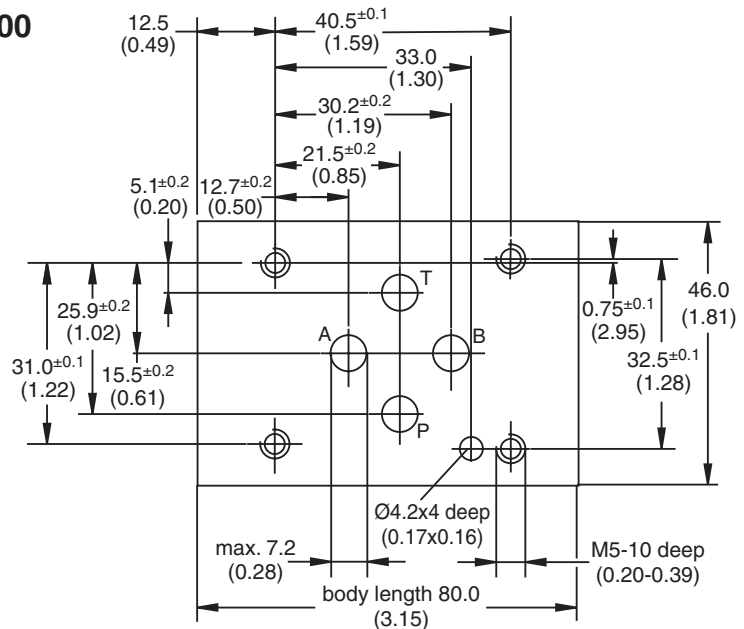
Gage Port
G 6.4 (0.25)



Surface Finish	$\sqrt{R_{max}6.3}$ $\square 0.01/100$
Bolt Kit DIN912 12.9	BK375 4x M5x30
	7.6 Nm (5.6 lb.-ft.) ±15%
Seal Kit Fluorocarbon	SK-VB/VM/V S V

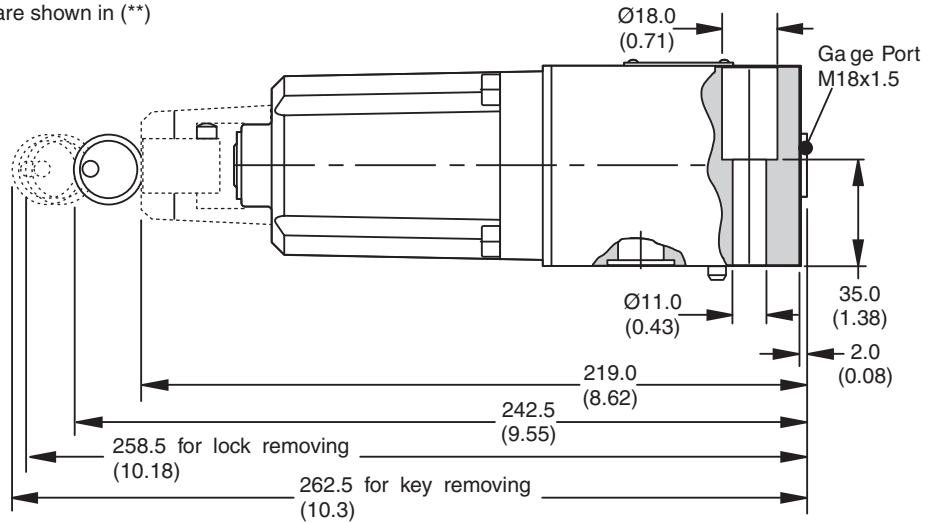
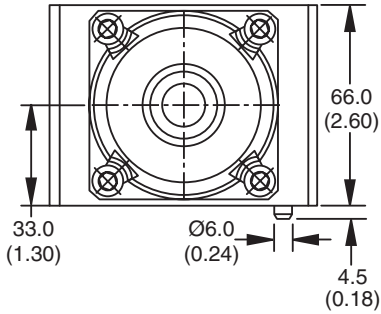
**Mounting Pattern ISO 5781-03-04-0-00
(NFPA D03, CETOP 3, NG6)**

Inch equivalents for millimeter dimensions are shown in (**)



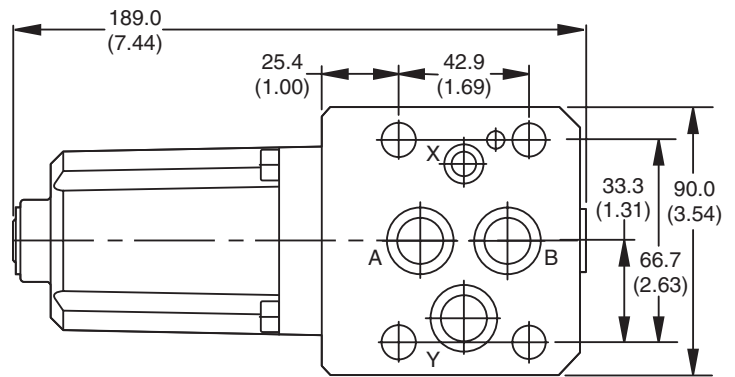
VB*10

Inch equivalents for millimeter dimensions are shown in (**)



D

Surface Finish	$\sqrt{R_{max}6.3}$ $\square 0.01/100$
Bolt Kit DIN912 12.9	BK389 4x M10x50
	65 Nm (48 lb.-ft.) ±15%
Seal Kit Fluorocarbon	SK-VB/VM-A10V
Subplate	Size
SPP3M6B910	A, B = 3/4" BSPP x, y = 1/4" BSPP



Mounting Pattern ISO 5781-06-07-0-00

Inch equivalents for millimeter dimensions are shown in (**)

